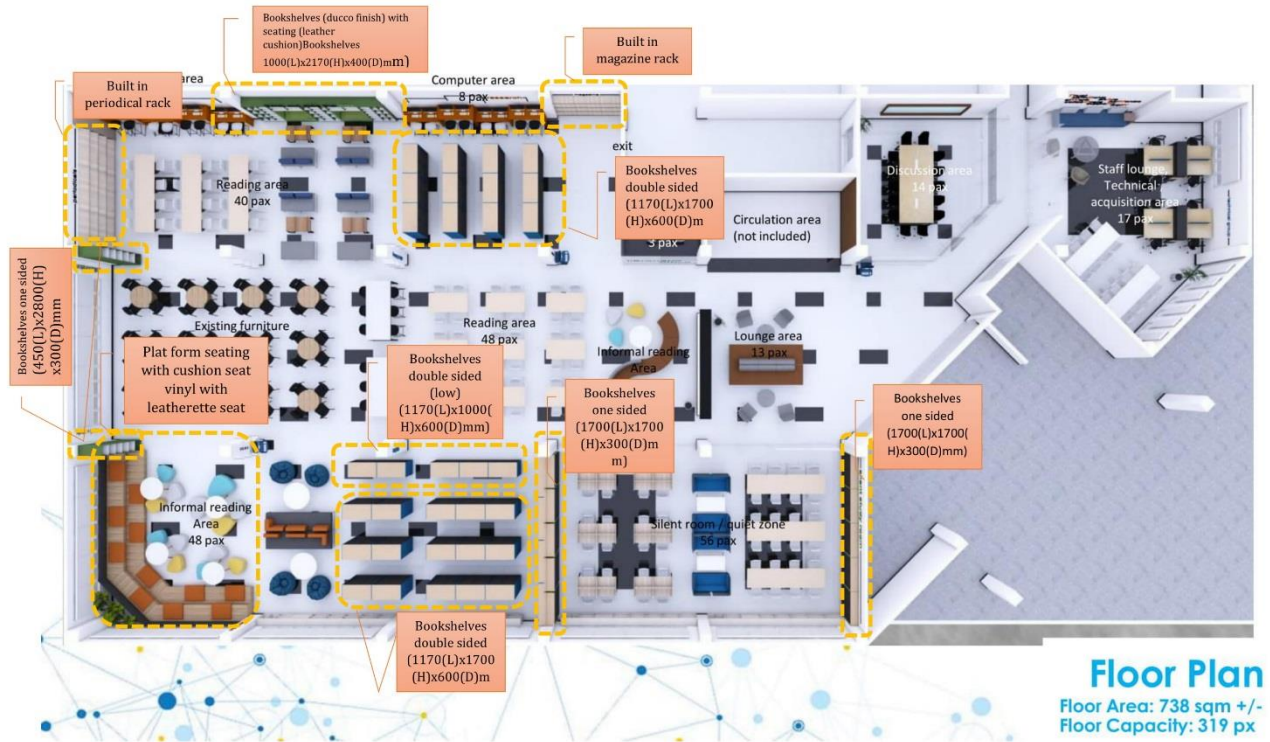
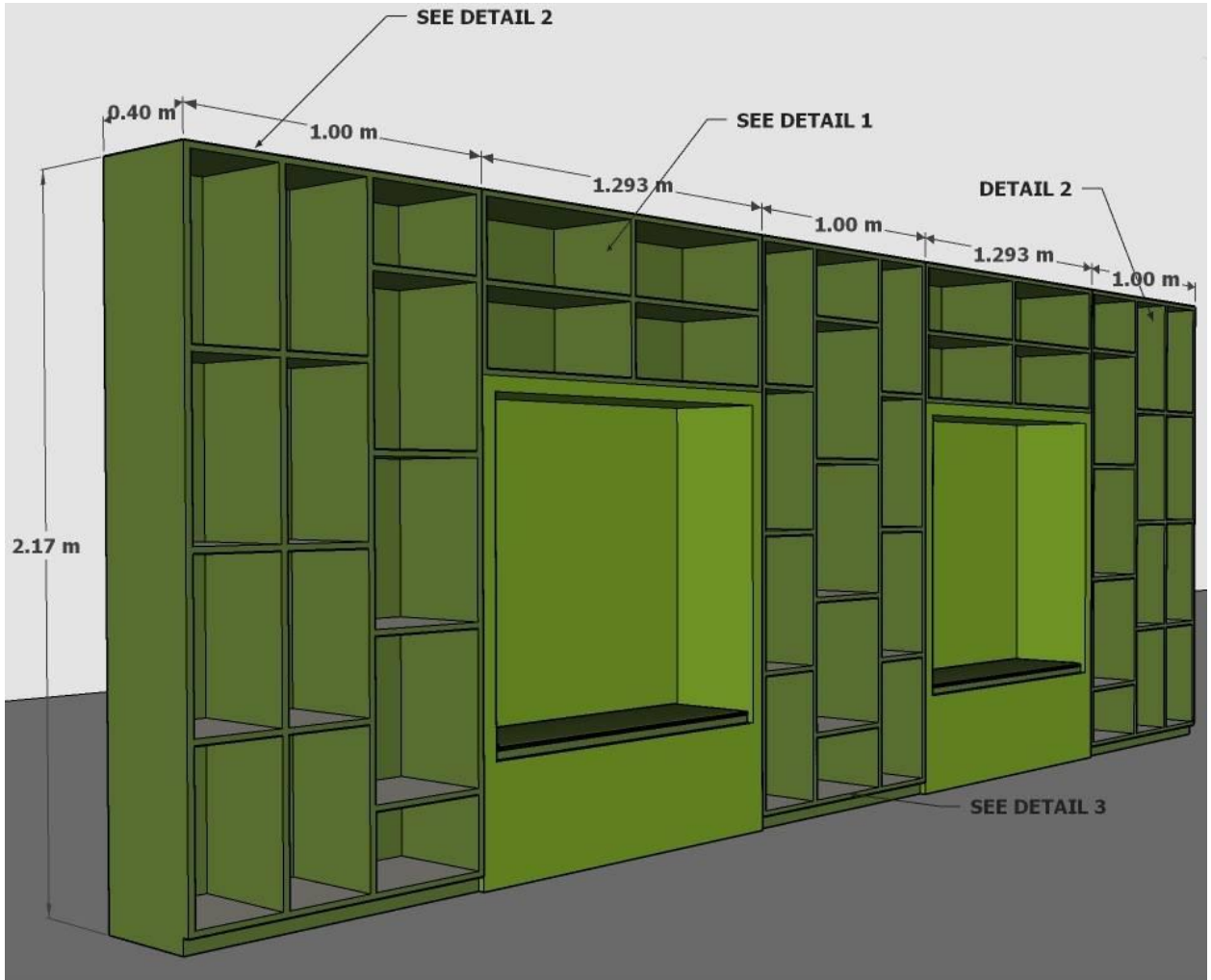


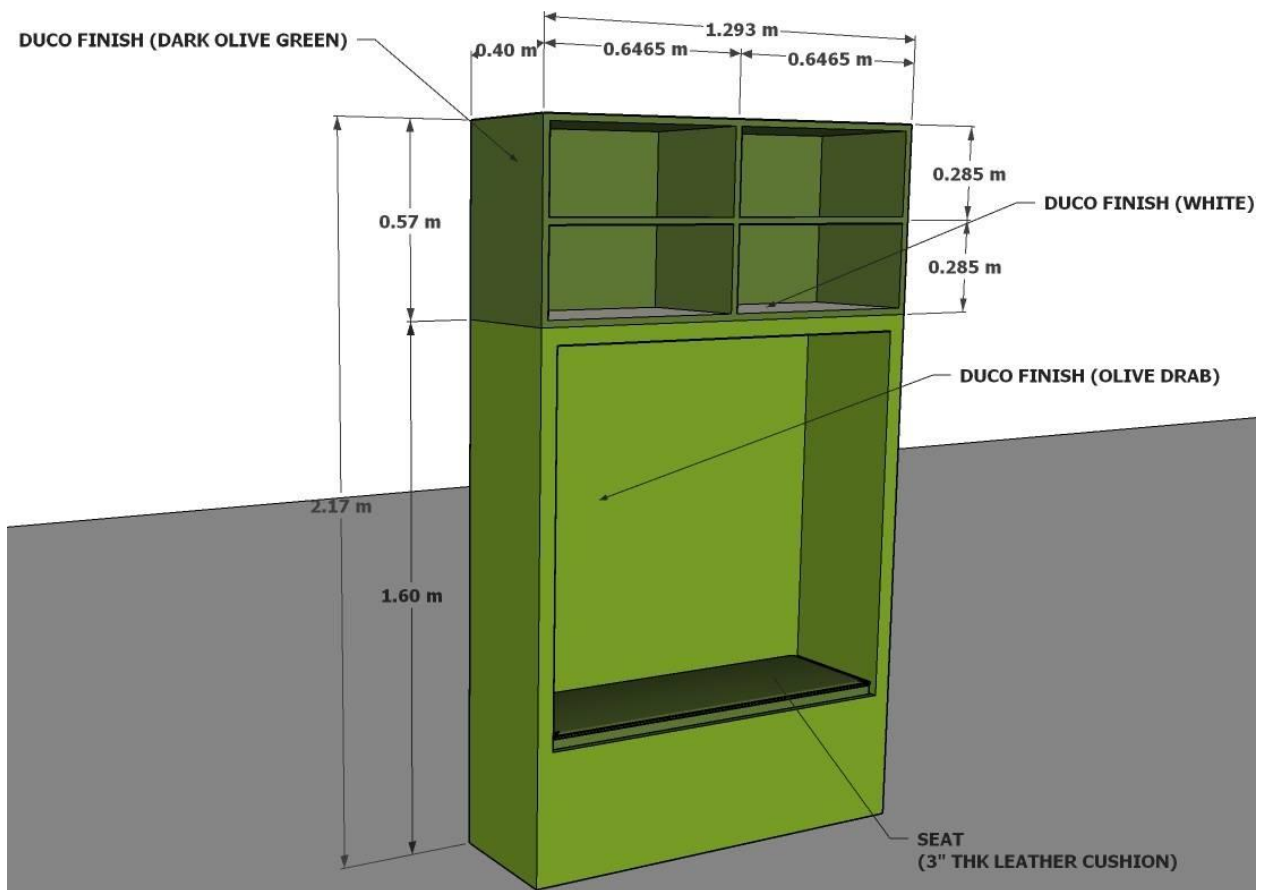
# “Annex A”



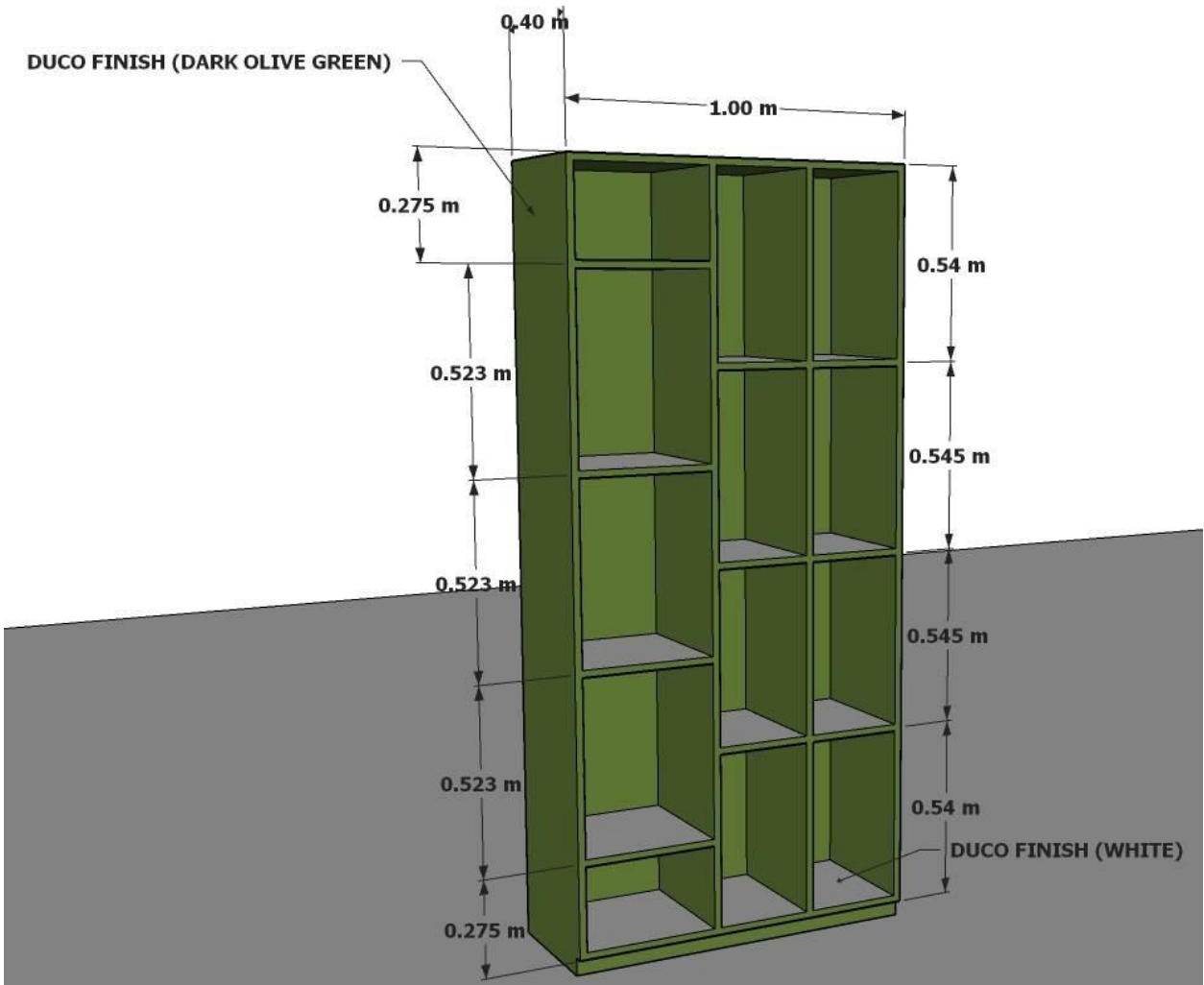
## Floor Plan



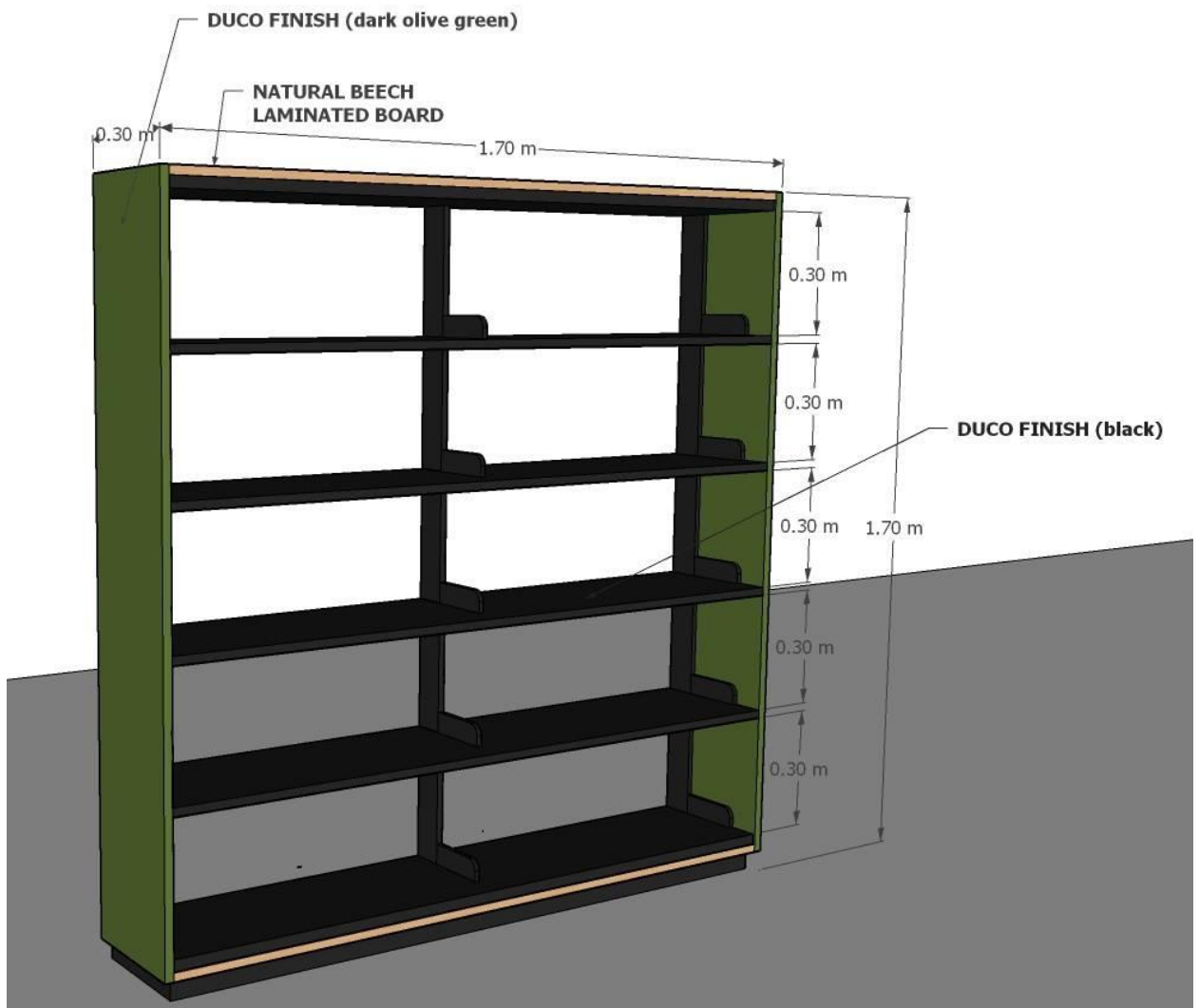
*Figure 1.1*



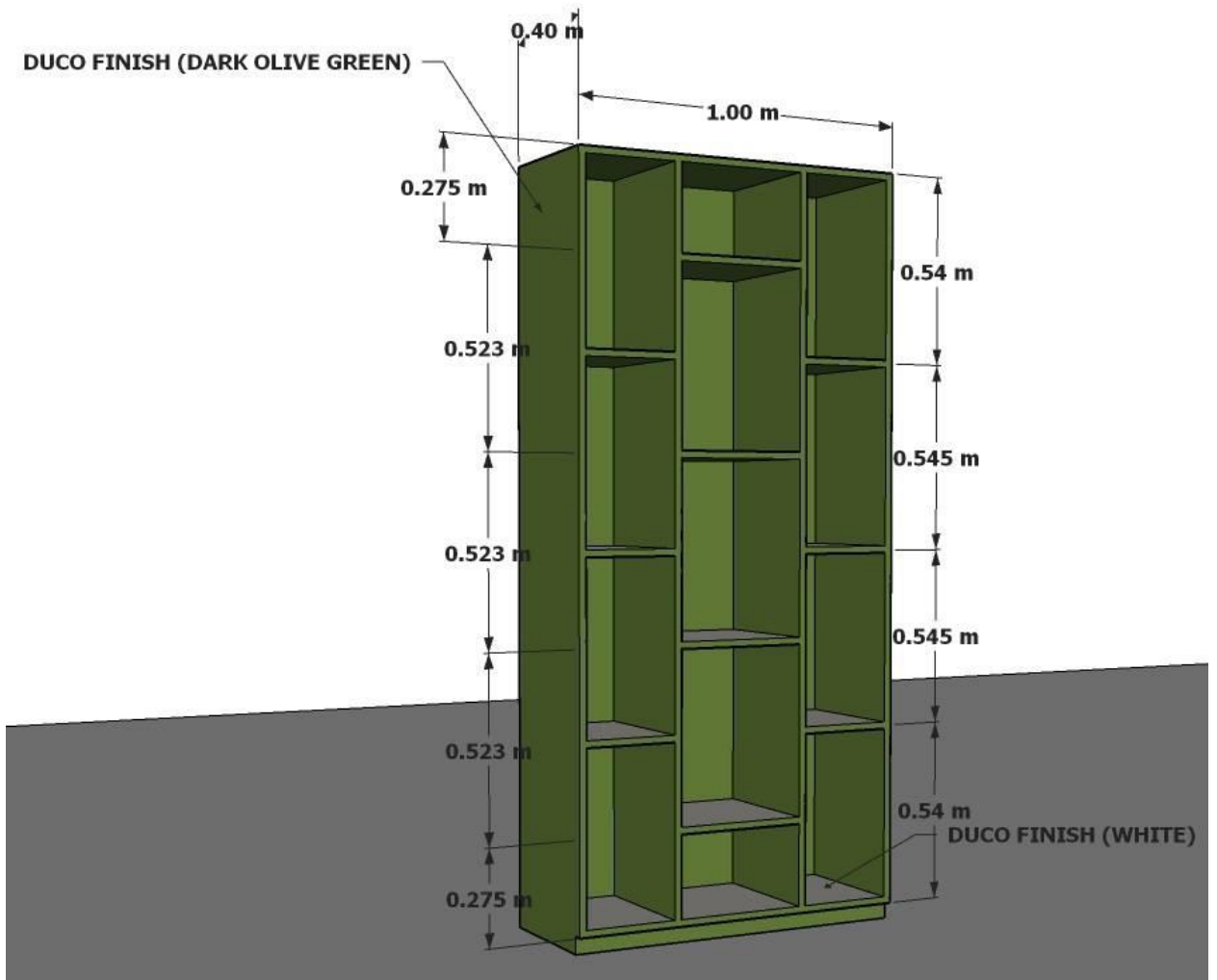
**Figure 1.2**



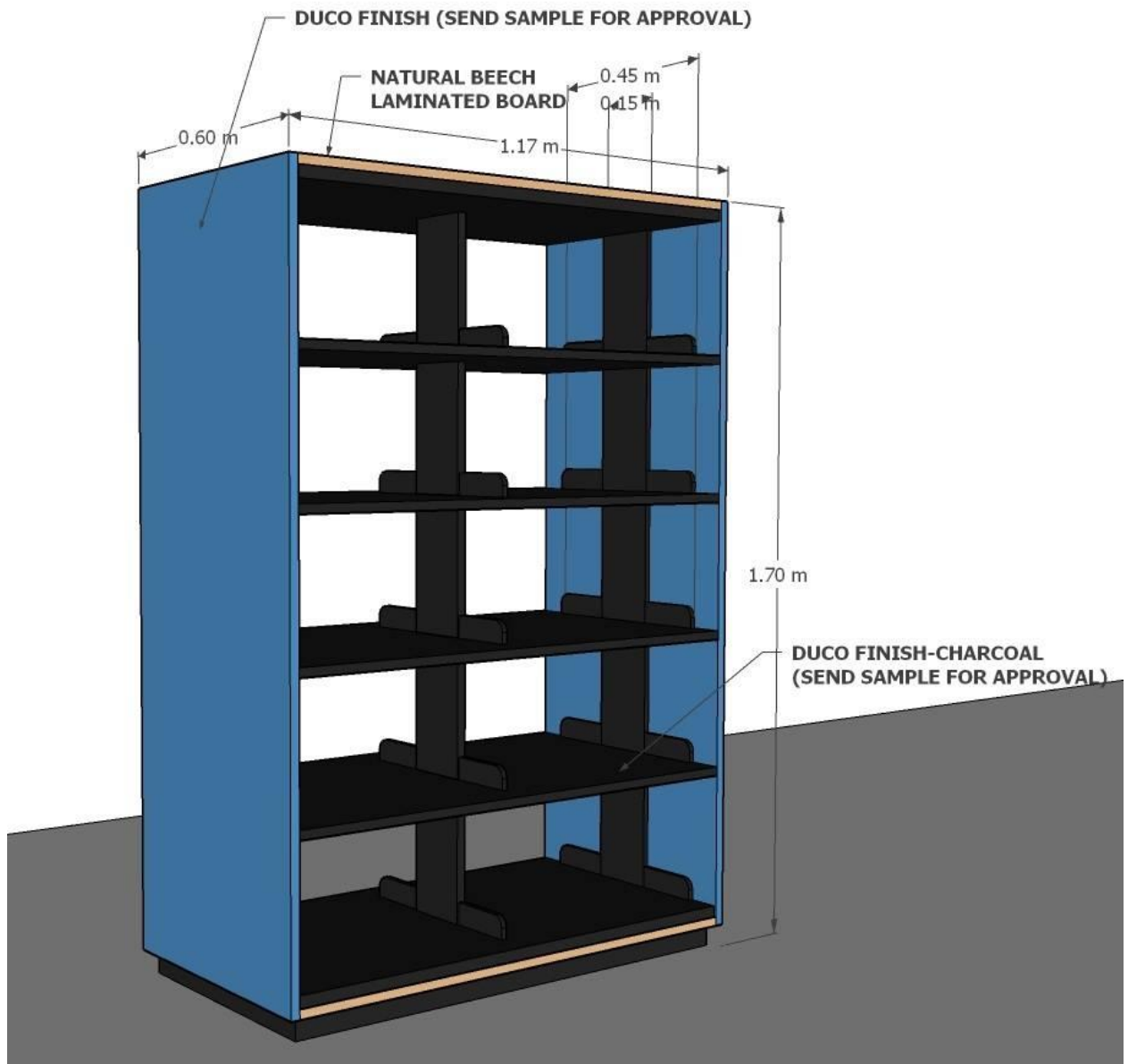
**Figure 1.3**



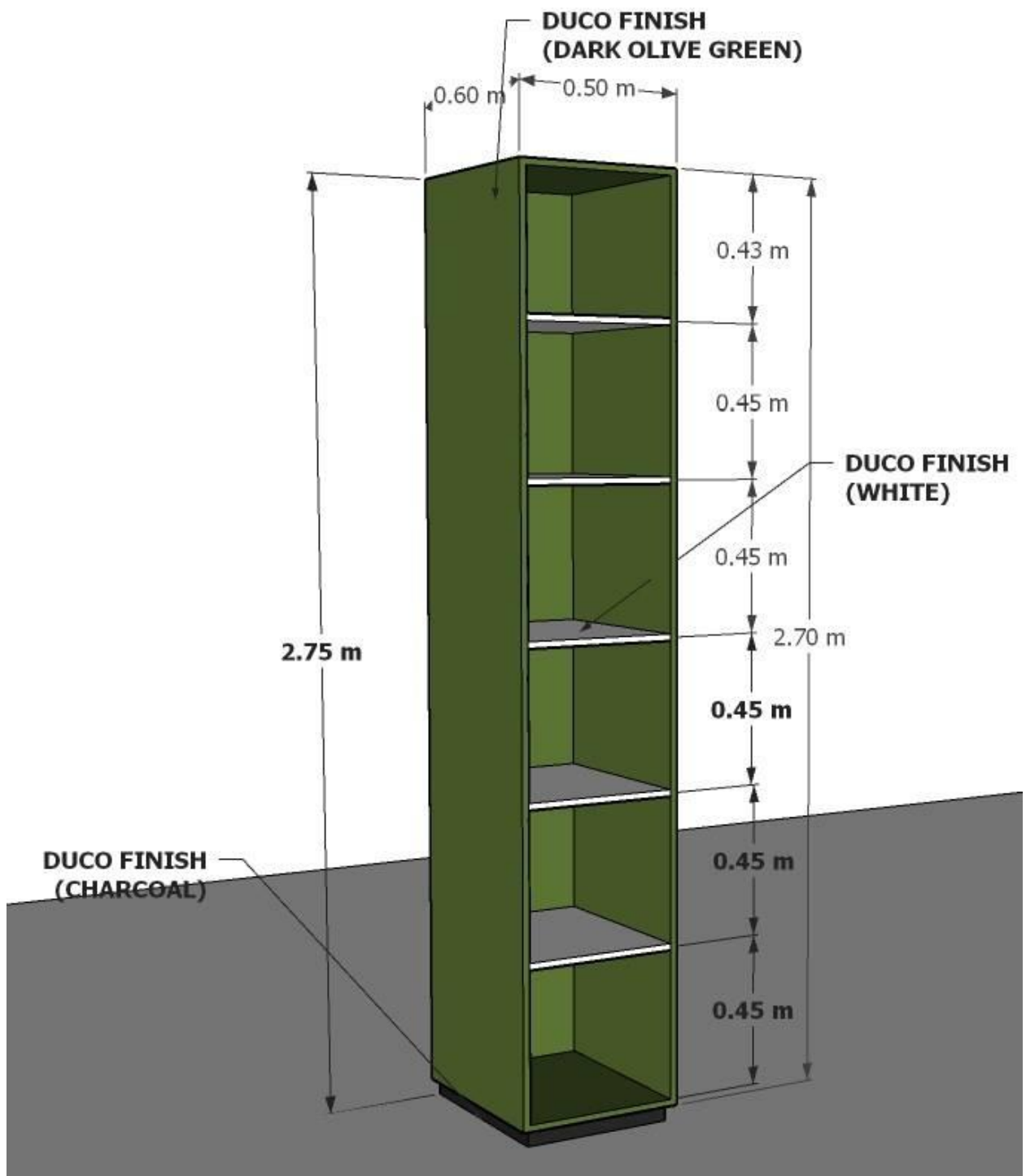
**Figure 1.4**



**Figure 1.5**

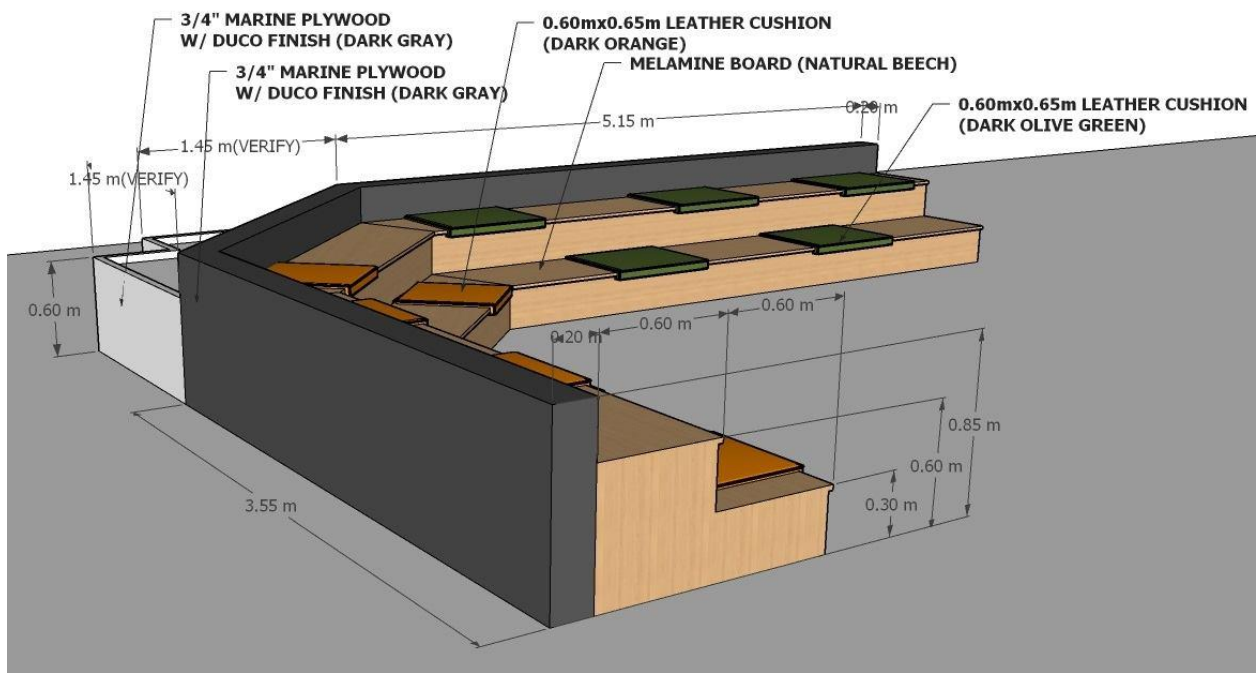


**Figure 1.6**



*Figure 1.7*





**Figure 1.8**

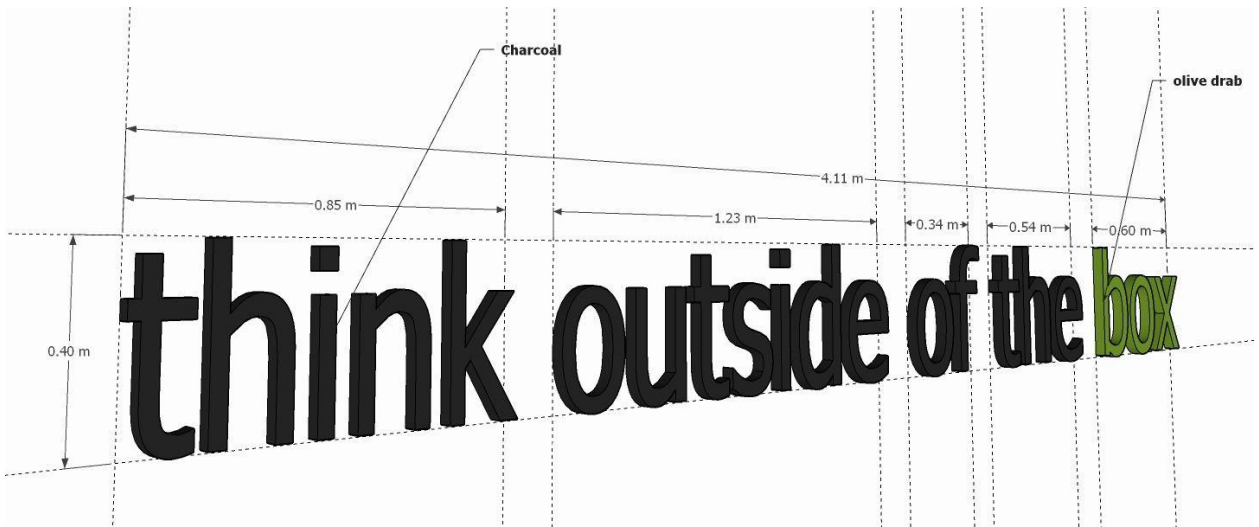


Figure 2.1

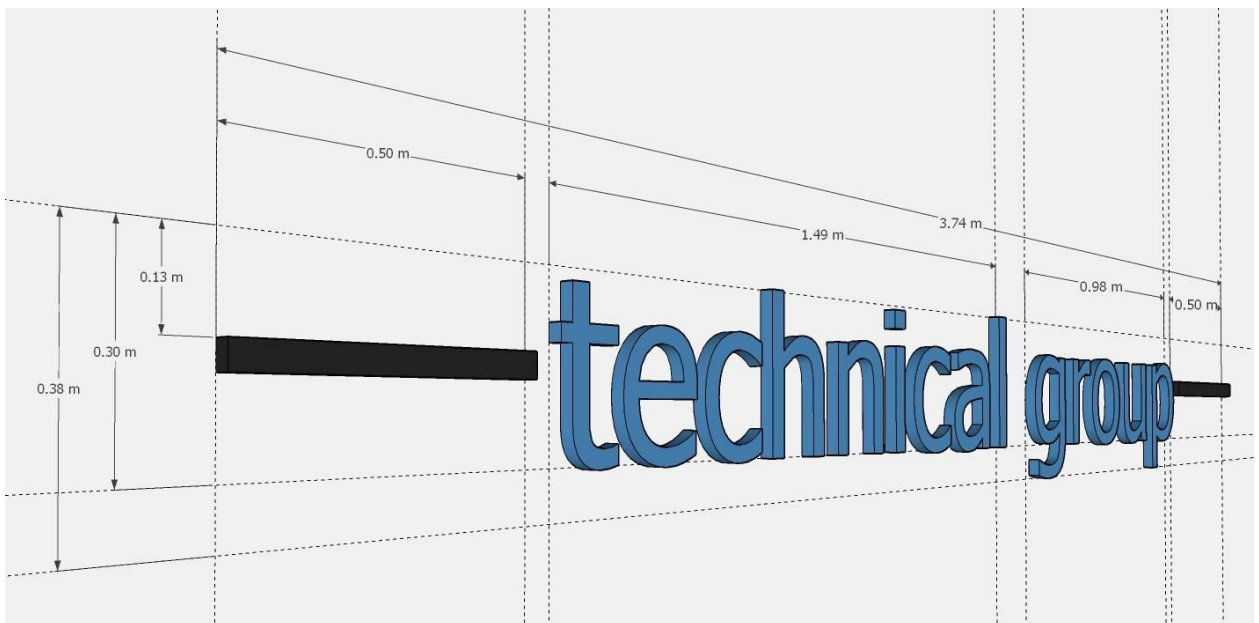


Figure 2.2

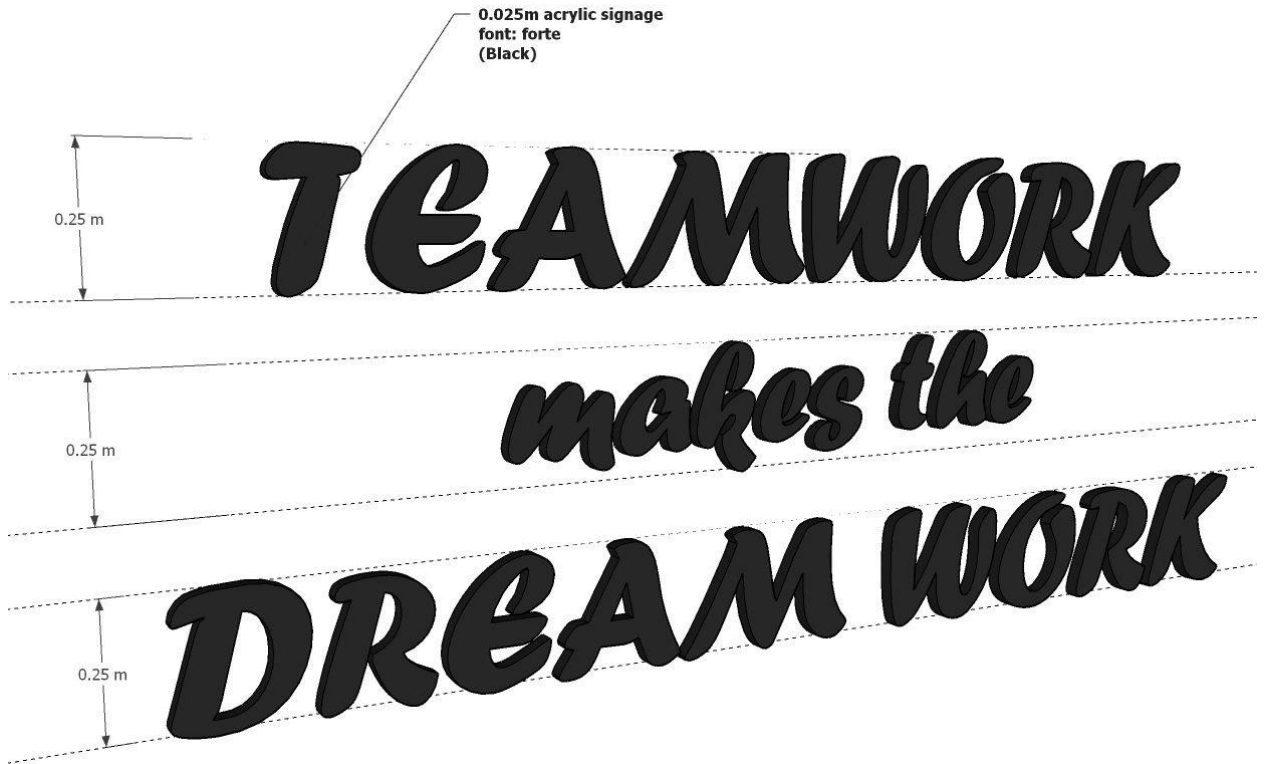


Figure 2.3

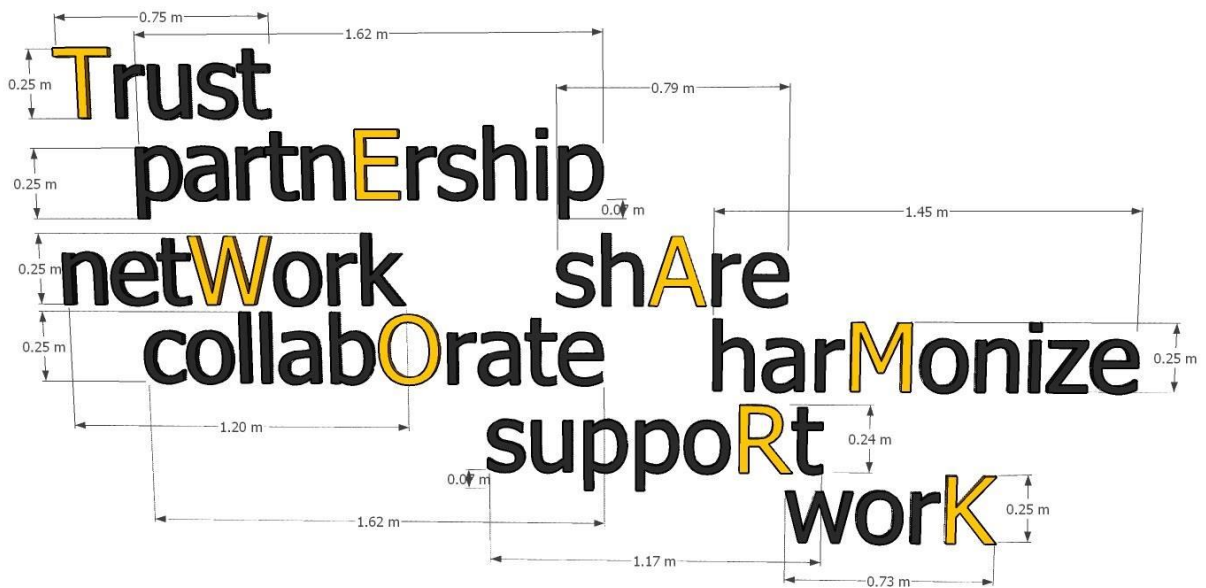
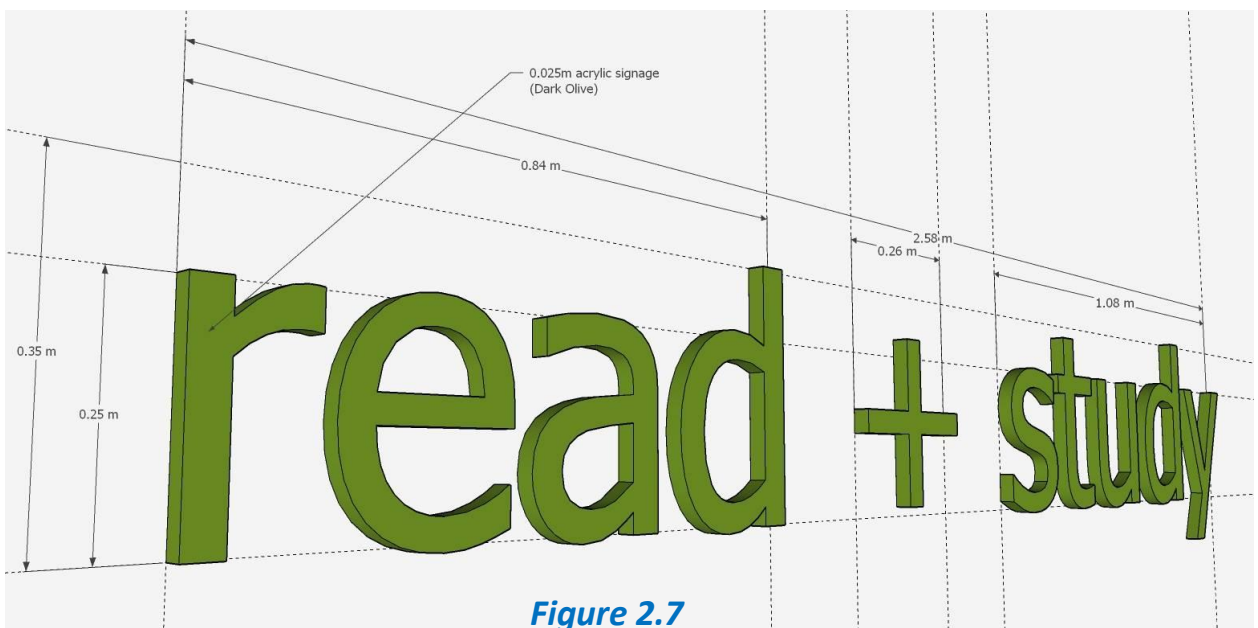
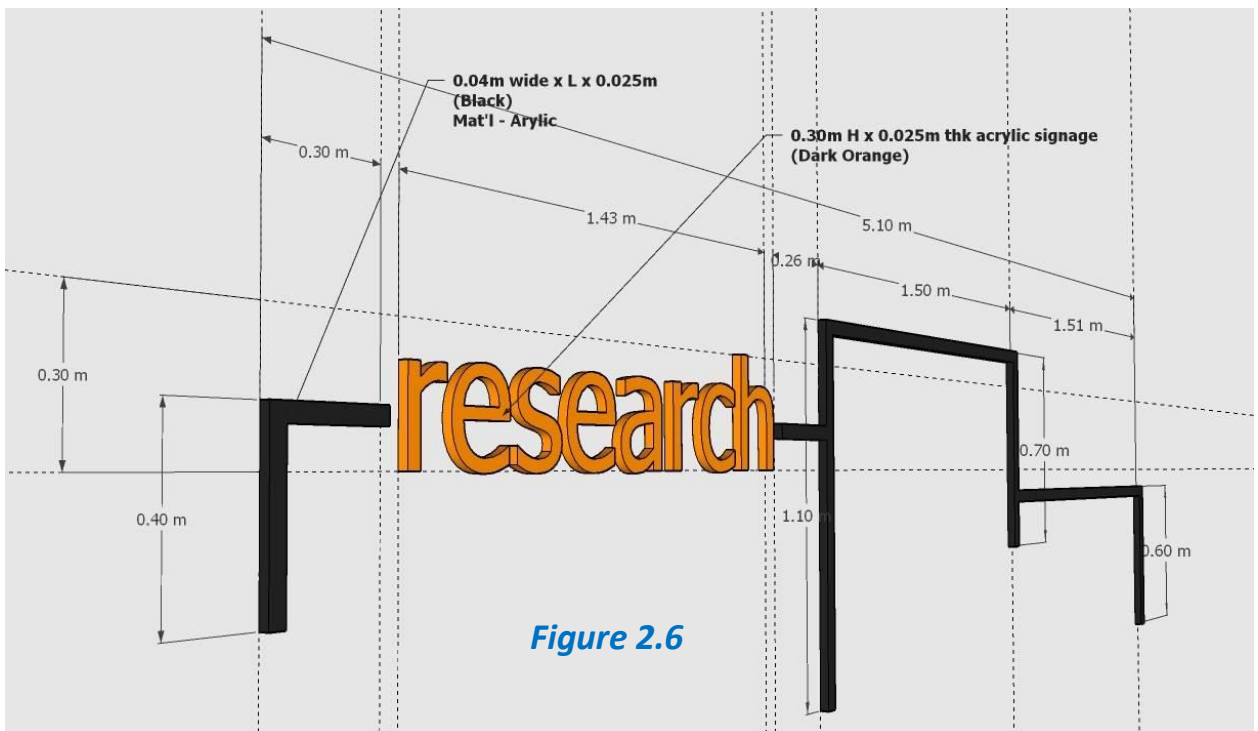
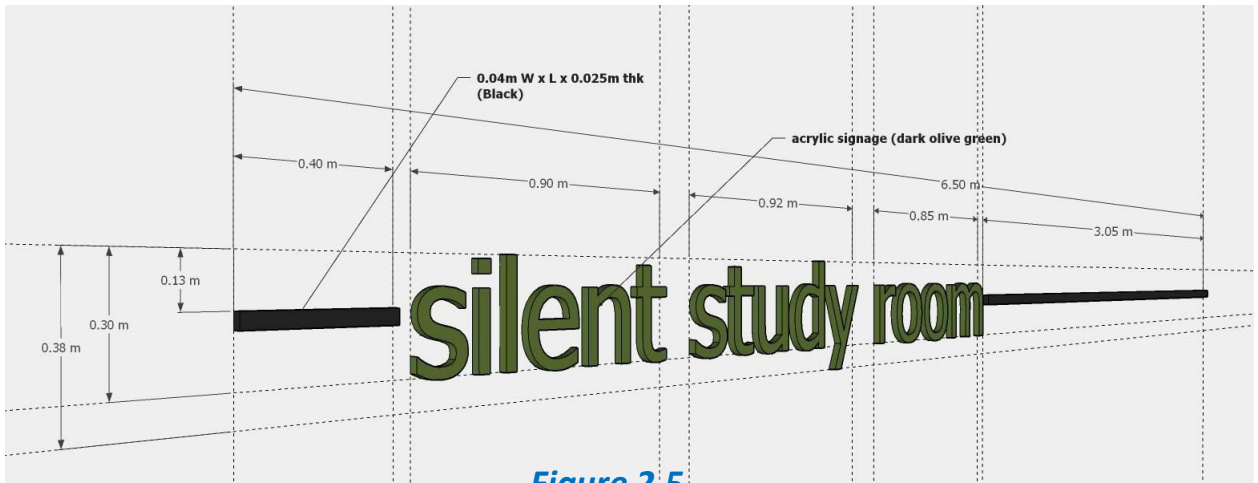


Figure 2.4



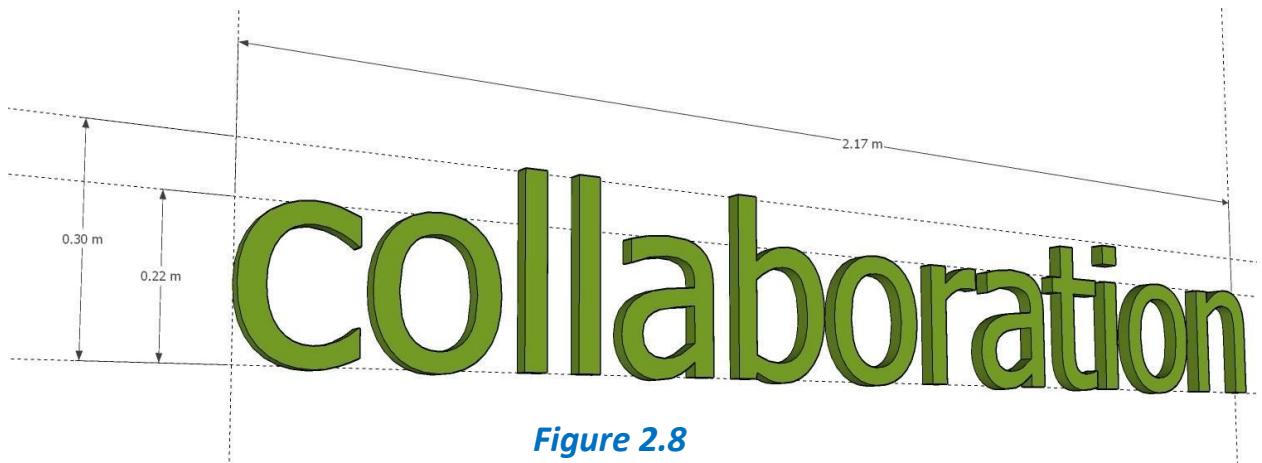


Figure 2.8

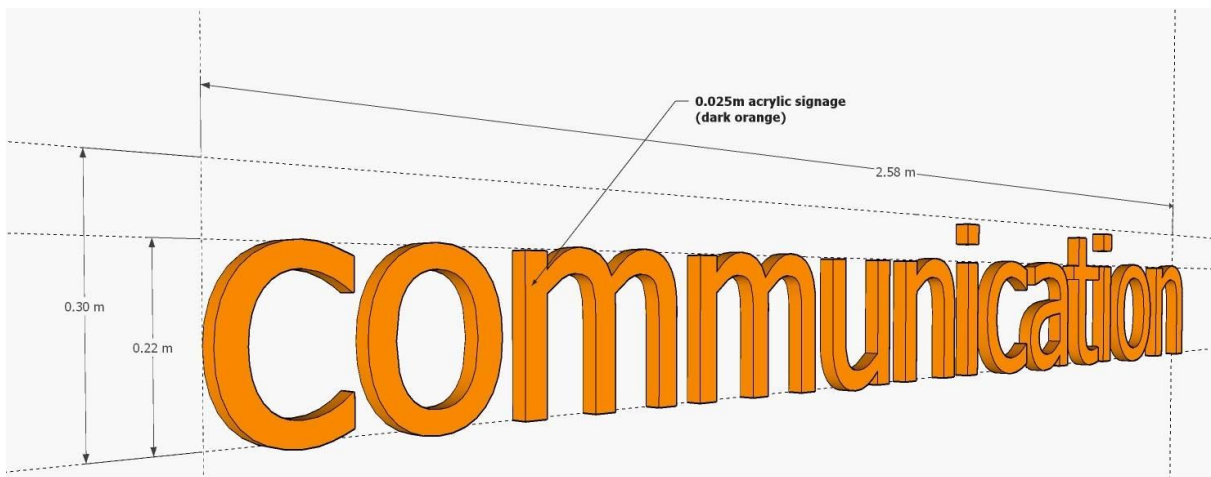


Figure 2.9

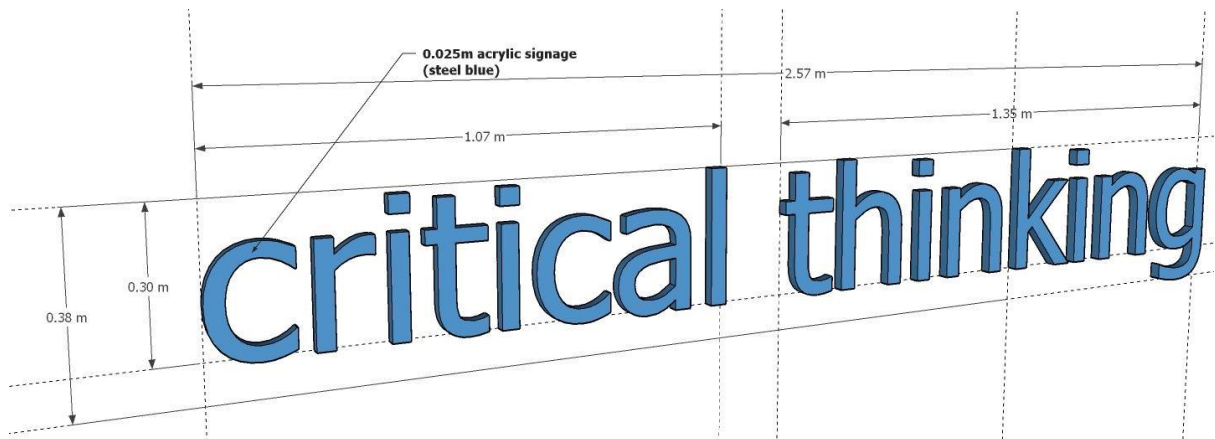


Figure 2.10

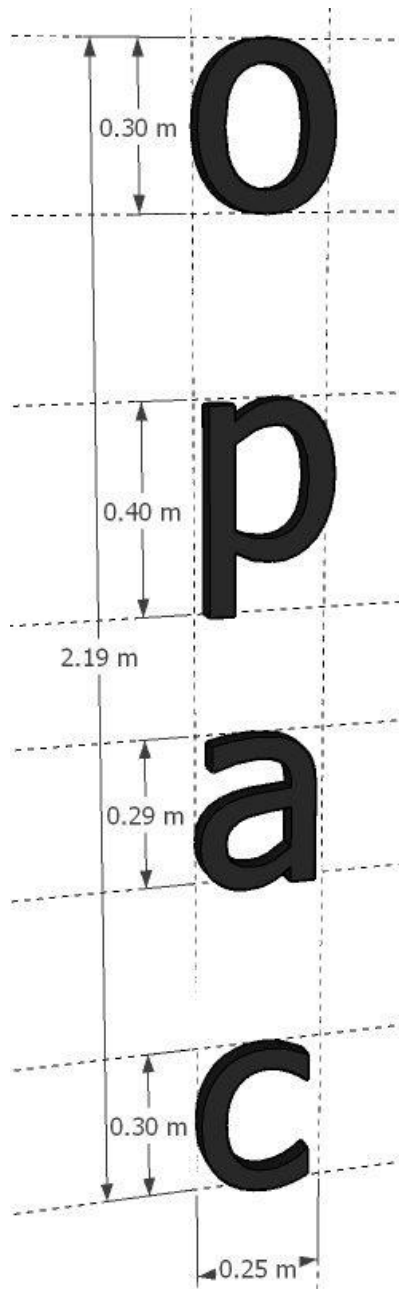
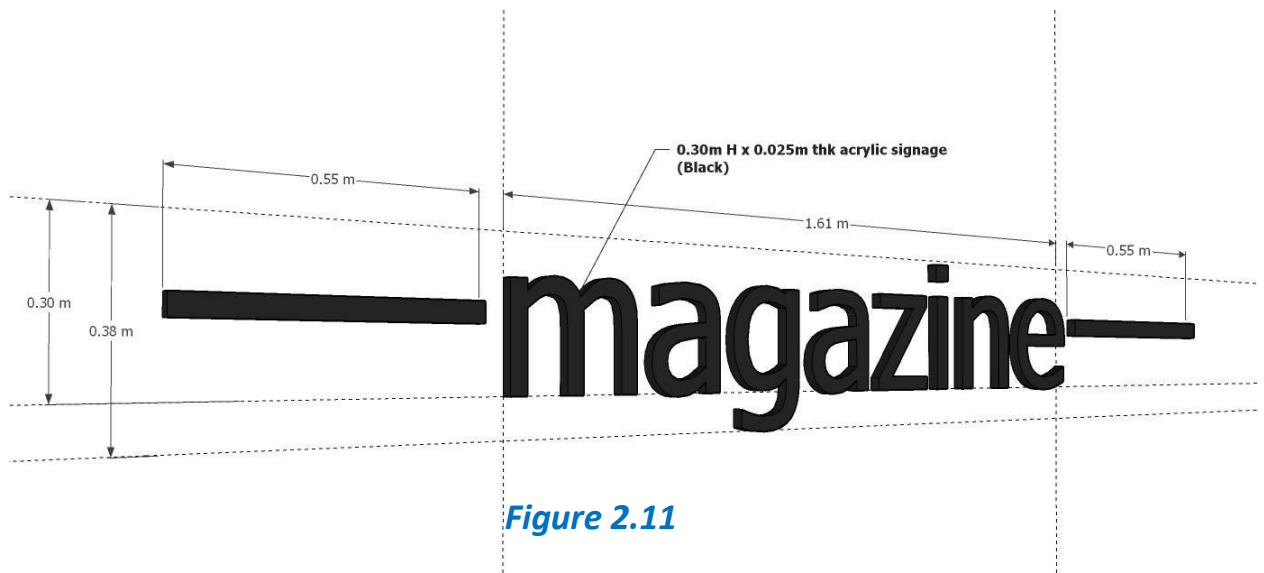
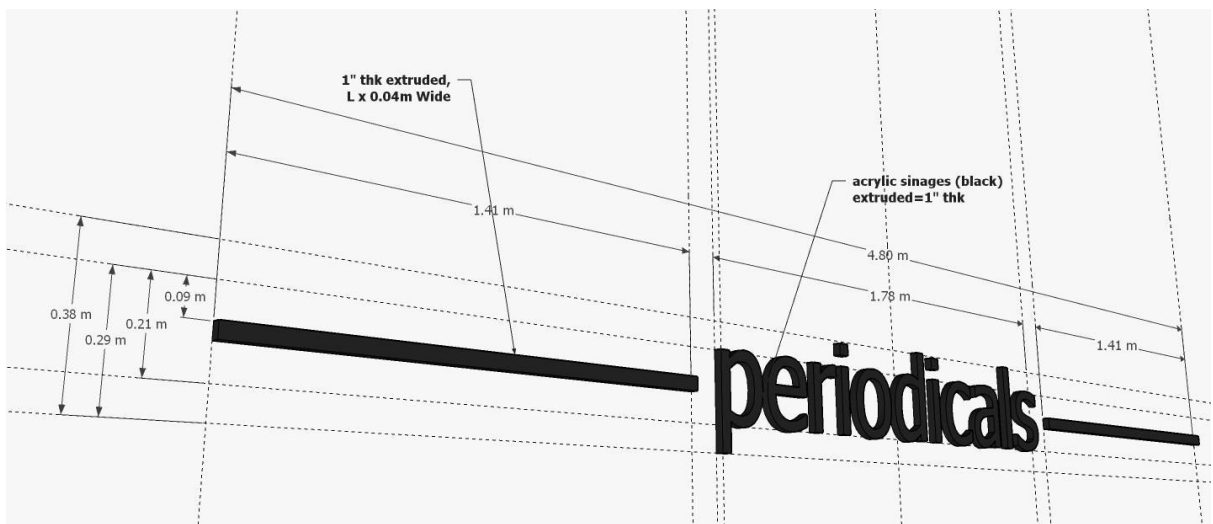


Figure 2.12





*Figure 2.13*